

## PLD Single HD

### Heavy-duty ceiling mount

**Item no.: 2700**

The PLD Single HD is a heavy-duty ceiling mount with a double carrier. It is suitable for screens with 75 - 100" | 191 - 254 cm screen diagonal.

The installation takes place in landscape format.

The TV holding fixture is included and supports screens with a VESA standard up to max. 900 x 600 mm. The VESA arms can also be tilted continuously between 0 and 15°.

The mount is height adjustable up to max. 1450 mm with tools.

The cables are routed internally, hidden from view and unauthorized access.

The included plastic cover ensures that the ceiling screw connection disappears unobtrusively underneath. If necessary, it can be released.

The surfaces of the PLD Single HD are finished with an impact- and scratch-resistant powder coating in black.

The max. load is 100 kg.



cover for the ceiling screw connection



0 - 15° tiltable



internal cable routing

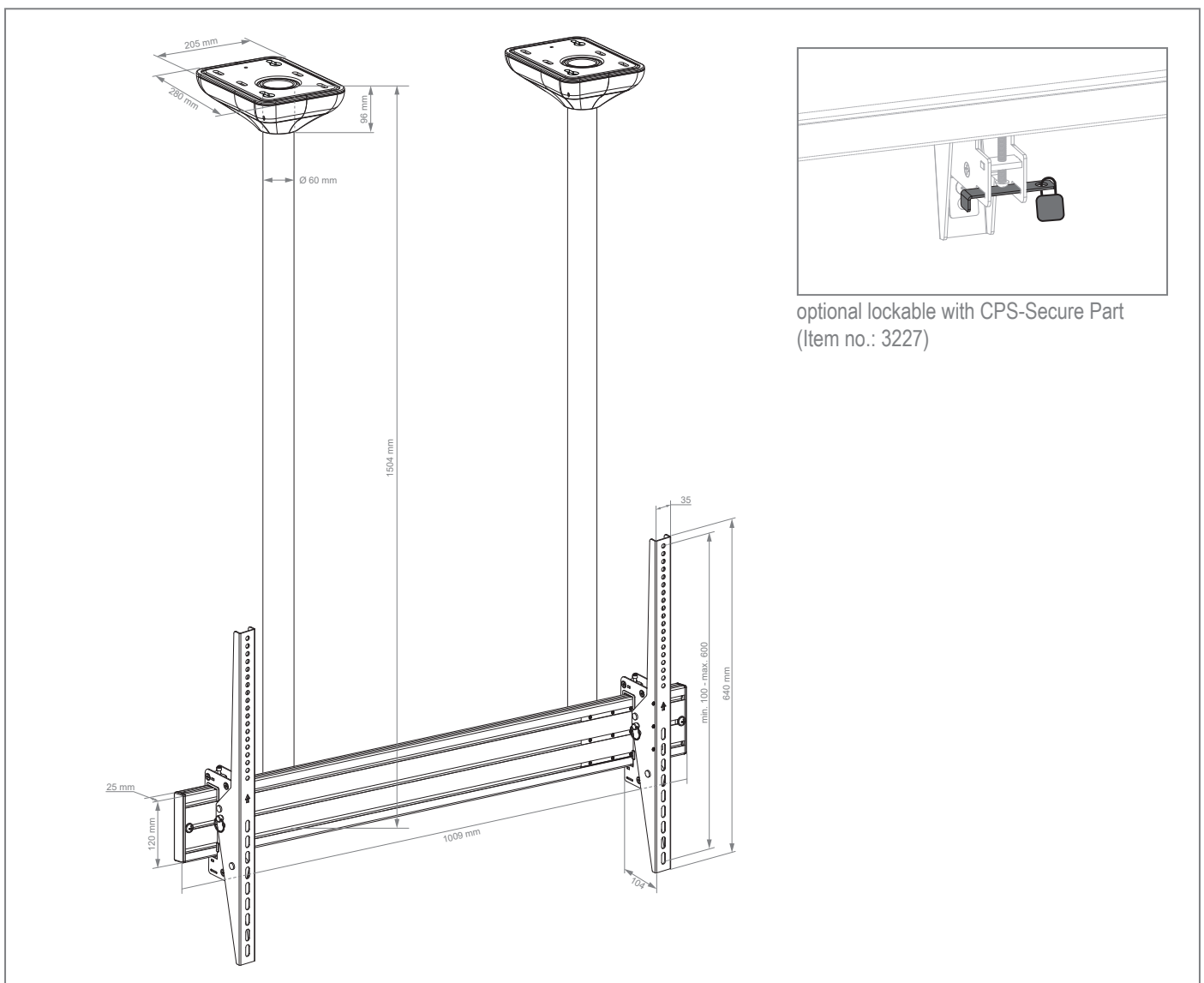


## PLD Single HD

### Heavy-duty ceiling mount

Item no.: 2700

- heavy-duty ceiling mount with double carrier
- 75 - 100" | 191 - 254 cm
- installation in landscape format
- incl. TV holding fixture up to max. 900 x 600 mm
- TV holding fixture 0 - 15° tiltable
- height adjustable up to max. 1450 mm (tools needed)
- internal cable routeing
- incl. cover for the ceiling screw connection
- 100 kg max. load
- impact- and scratch-resistant powder coating
- colour: black
- optional: CPS-Secure Part (item no.: 3227)



optional lockable with CPS-Secure Part  
(Item no.: 3227)